

PADDLE WHEEL LIQUID FLOW METER



Technical Data

Connecting size: 3/8", 1/2", 3/4", 1" NPT female standard

Power supply: 3.8V to 30VDC

Output: Sink(NPN)

Material: Body-polypropylene, PTFE, PVDF available
 Cover-acrylic, PP, PTFE, PVDF available
 Rotor-PVDF
 Shaft-ceramic
 Bearings-ceramic

O-ring: Viton

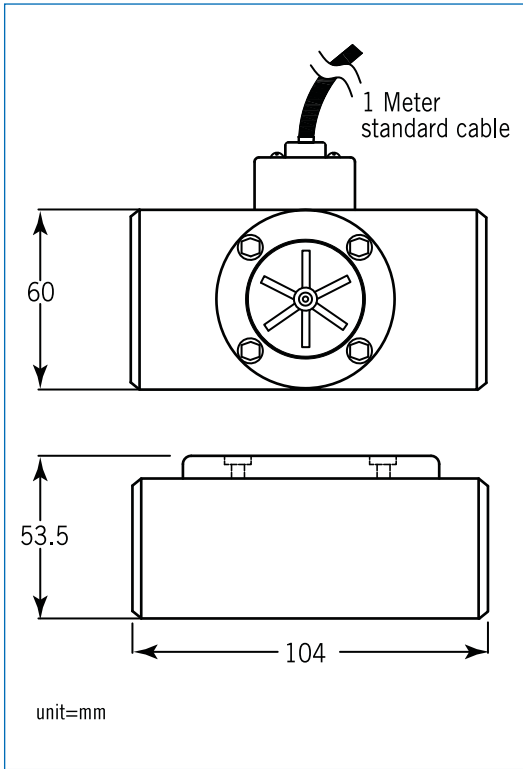
Max. temperature: 70°C

Max. pressure: Polypropylene and PTFE-10kg/cm²
 PVDF-15kg/cm²

Accuracy: ±2%F.S



Dimensions

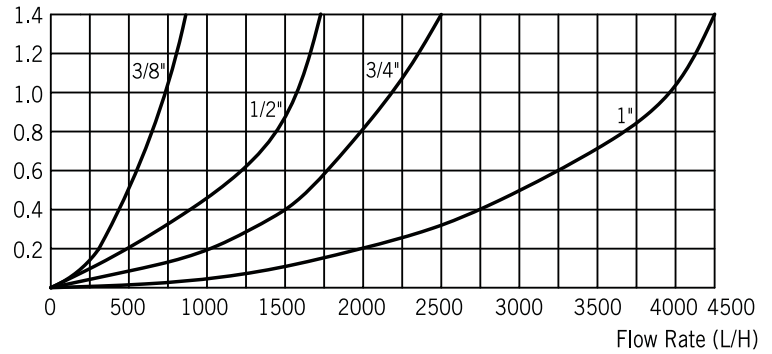


Range Table

Size	Flow Rates /LPH	Nominal Factors Per Liter
3/8"	20~800	398.32
1/2"	30~1400	205.32
3/4"	100~2100	150.32
1"	120~4200	61.02

Pressure Drop: 3/8"~1"

Pressure Drop



Ordering Information

HF100	-	1	-	A	-	4
		Process connection size			Body material	Cover Material
(1)		3/8"			A	(1) Acrylic(standard)
(2)		1/2"			B	(2) P.P
(3)		3/4"			C	(3) PTFE
(4)		1"				(4) PVDF